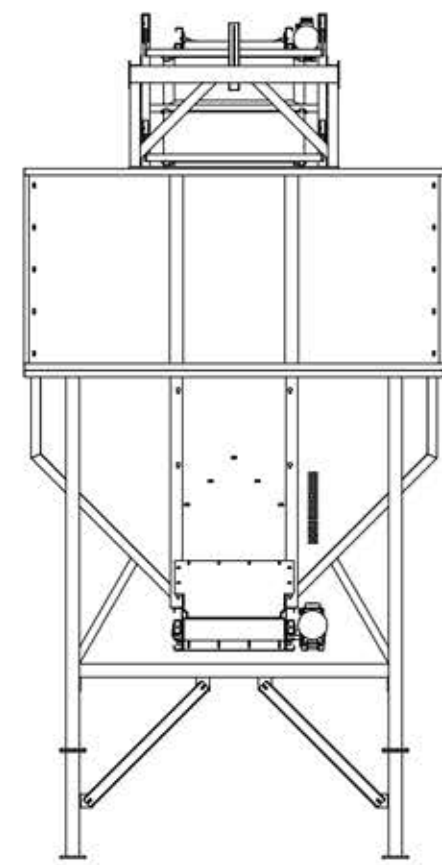
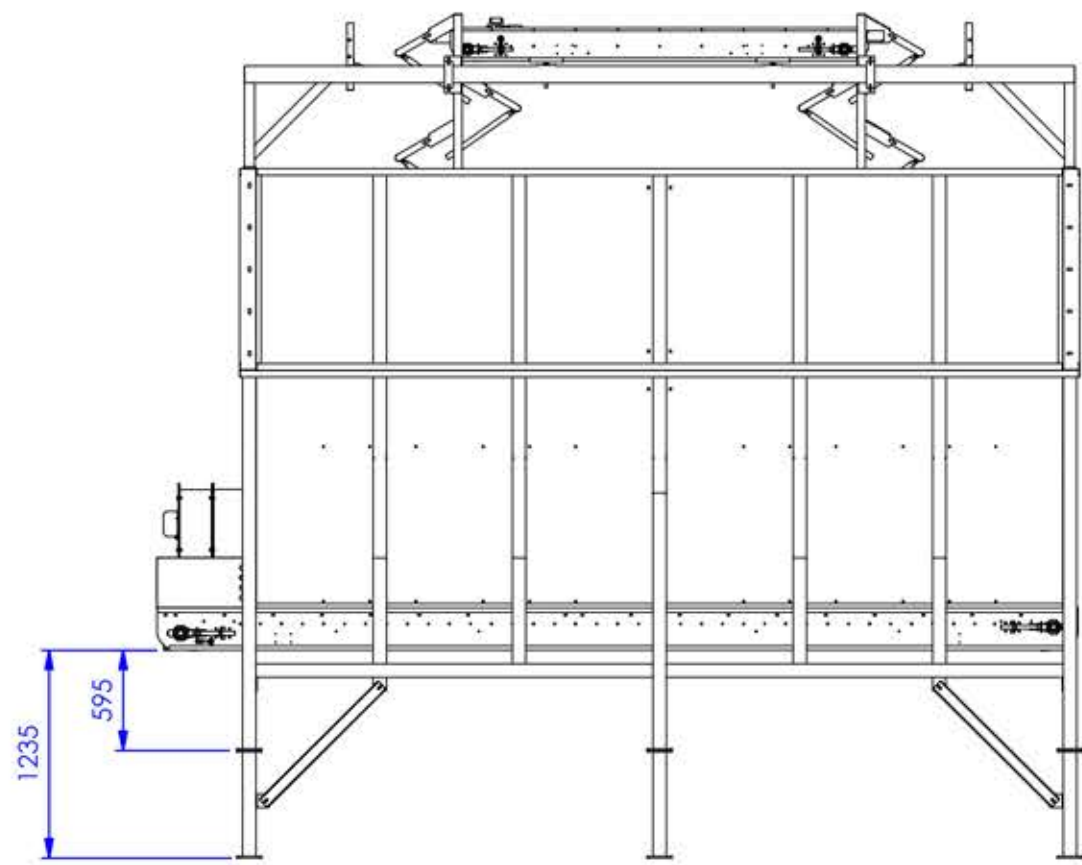
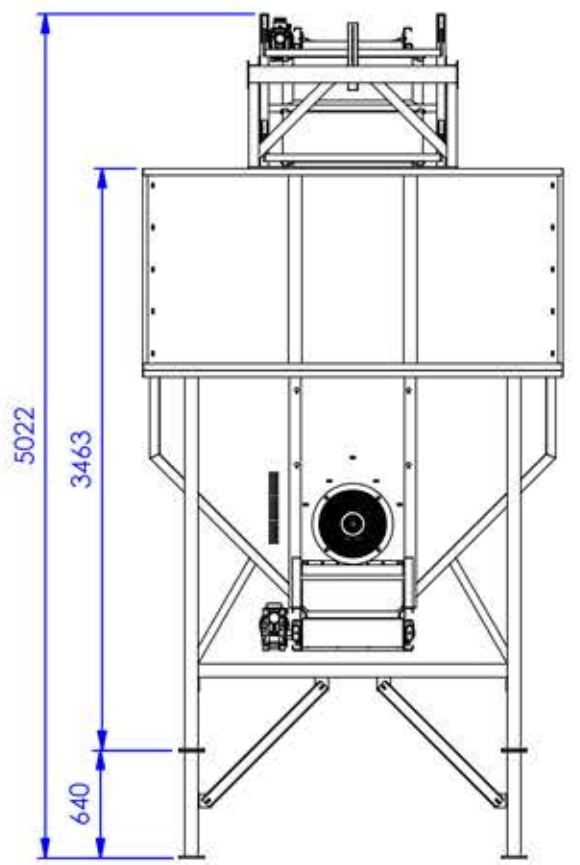
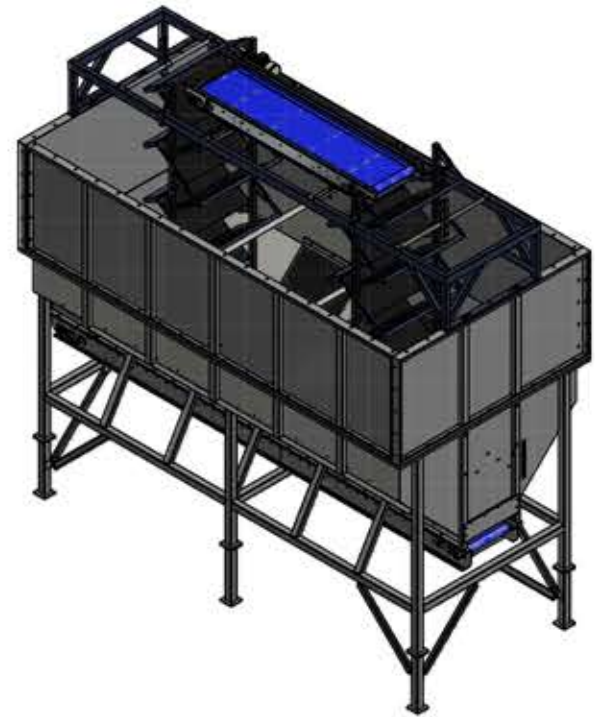
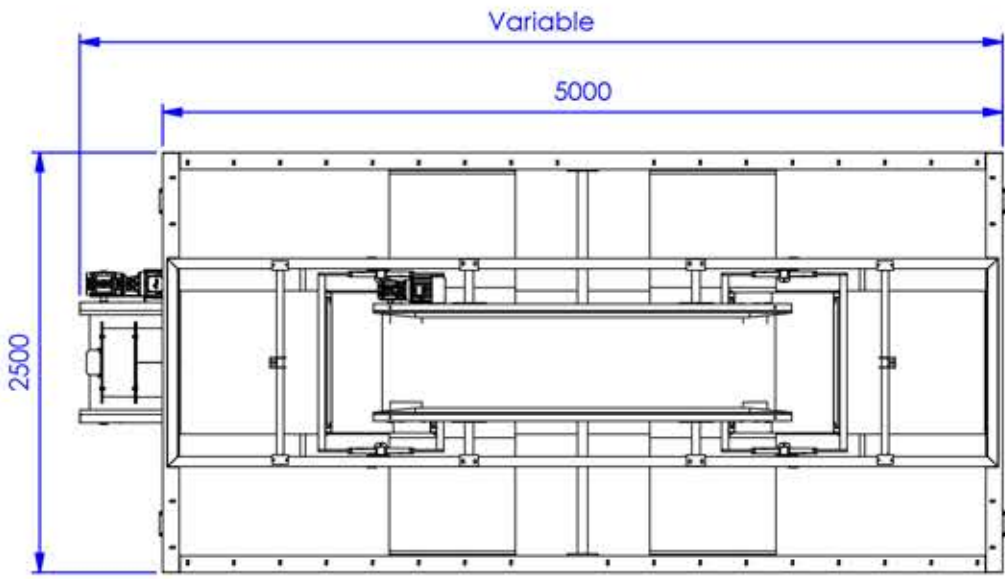
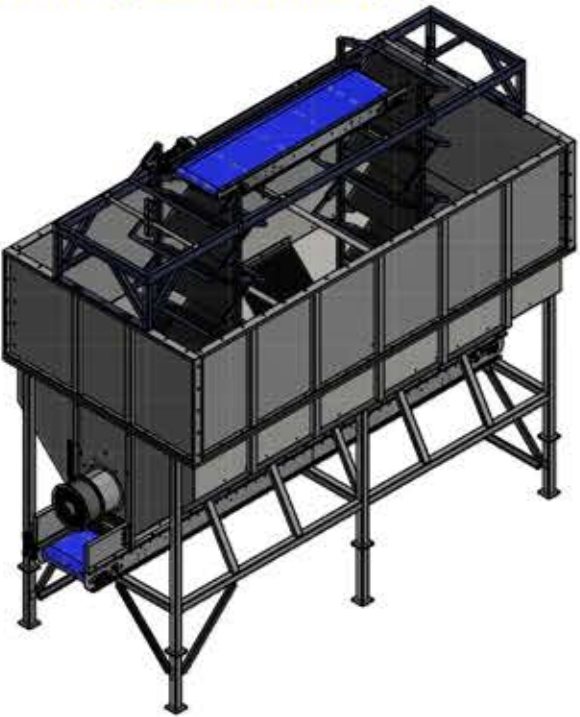




SH 25-50-20 (container)



For discussion only!
 The dimensions are approximately.
 We are free to resize and change the machines,
 when we deem it necessary.

Tol principle: ISO 8015	General tolerances: ISO 20768	Fit system: ISO 286	Geometrical tolerancing: ISO 1101
			
Project: Storage hopper Description: SH 25-50-20 (container)			
Surface:			
	Engineer: S.laan Date: 28-6-2019	Scale: 1 : 45 Sheet size: A3 Unit: mm	00003485 Sheet: 1 of 2
			Revision: 00